

**HYMAX**<sup>®</sup>

Repair the past. Connect the future.

**KRAUSZ** is the creator of HYMAX

# HYJOINT

(2"-24", NBR GASKET)

---

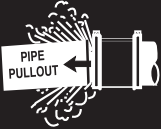
HYJOINT COUPLING

---

HYJOINT LONG COUPLING



## WARNING



THIS PRODUCT DOES NOT RESTRAIN AXIAL PIPE MOVEMENT. PROPER ANCHORAGE OF THE PIPE IS REQUIRED IF THIS PRODUCT IS USED AS A COUPLING. FAILURE TO ANCHOR THE PIPE ENDS COULD RESULT IN THE ESCAPE OF LINE CONTENT, AND MAY CAUSE PROPERTY DAMAGE, SERIOUS INJURY OR DEATH.



CAUTION: THIS PRODUCT IS NOT INTENDED FOR USE ON NATURAL GAS PIPING, OR ANY OTHER TYPE OF GAS PIPING. TO DO SO COULD RESULT IN ESCAPING GAS THAT COULD IGNITE AND CAUSE PROPERTY DAMAGE, SERIOUS INJURY OR DEATH.



## IMPORTANT

THE HYJOINT SERIES PRODUCTS ARE STAB-ON TYPE COUPLINGS. Do not disassemble the product. Do not lubricate nor loosen The Bolts.

**DO NO LUBRICATE BOLTS AND NUTS.** Bolts are pre-lubricated with a MAG (Molecular anti-galling) dry coating. Greasing bolts or nuts voids manufacturer's warranty.

**USE A TORQUE WRENCH TO TIGHTEN THE BOLTS.** A torque wrench will assure a proper torque has been applied to the coupling. Do not use other tools to tighten the coupling's bolts!

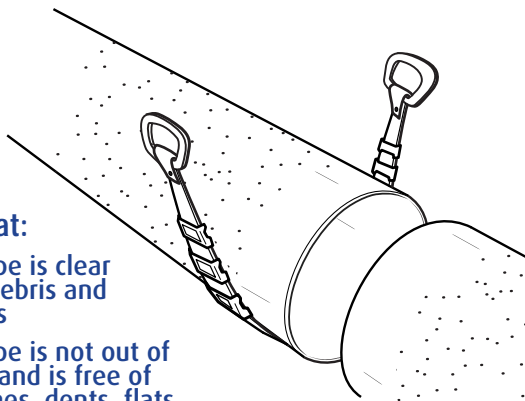
**TIGHTEN BOLTS TO THE TORQUE** value provided on the label in one continuous step. HYJOINT Products do not require a gradual increase of torque over a specified period, nor do they require re-torque. The minimal torque requirements must be achieved prior to any recharging of the line.

**MAKE SURE YOU HAVE PROPER SUPPORT FOR THE PIPES.** The Hyjoint is not designed to carry the pipes' weight.

# PREPARE PRODUCT AND PIPE FOR INSTALLATION:

1

## CLEAN AND DESCALE THE PIPE

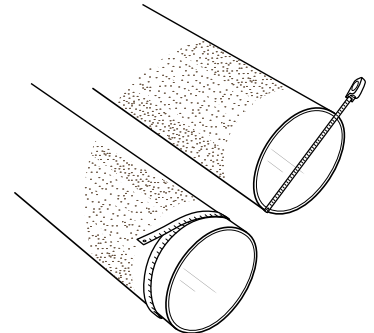


Make sure that:

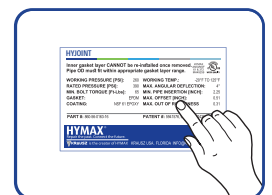
- The pipe is clear from debris and defects
- The pipe is not out of round and is free of scratches, dents, flats
- The end rings are centered on the coupling - if they are not, please contact your local distributor for return and replacement

2

## MEASURE THE PIPES' OD



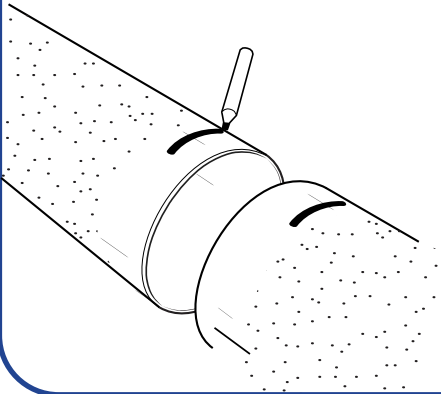
Measure twice and make sure the coupling size range (as indicated on the product's label) will fit the pipes properly



# INSTALLATION OF THE COUPLING:

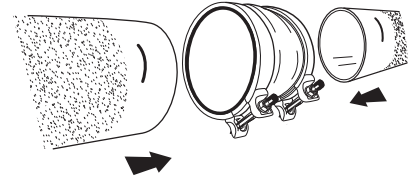
## 3 MARK THE PIPE

Mark each pipe end according to the minimum stab depth indicated on the label

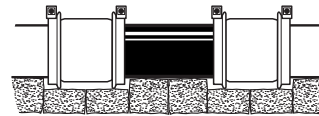


## 4 POSITION THE COUPLING FOR INSTALLATION

Stab the HYJOINT coupling over the pipe end with bolts positioned towards the top of the pipe.



Make sure that the pipes and the product are properly supported

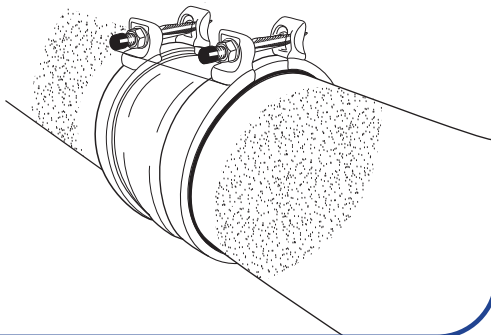


## 5 INSTALL

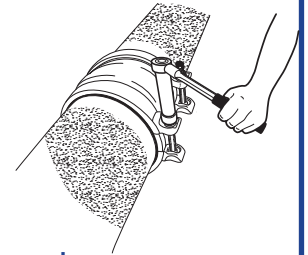
Lubricate pipe and product surface with a water-based lubricant -  
**DO NOT LUBRICATE BOLTS!**

If possible, place the coupling(s) on the replacement pipe (on both ends) with top-facing bolts and lower the pipe and couplings into the ditch.

Slide the couplings outward onto the pipes so that they cover the marks made in step 3.



## 6 TIGHTEN BOLTS



Tighten the HYJOINT's bolts using a torque wrench:

PRODUCT SIZE	SOCKET SIZE
2"-6"	3/4"
8"-16"	7/8"
18"-24"	15/16"

Tighten the bolts evenly in an alternating pattern to the torque indicated on the label. Cross-tightening ensures that the gasket is evenly seated. When you finish, re-check the torque again.

**NOTE:** Use of a torque wrench is required!

## 7 RECHARGE

Recharge the line and check for leaks. If any leakage across the seal end is evident, reduce the pressure in the line and increase the labeled torque of the end ring bolts by up to 50%.

# HYMAX<sup>®</sup>

Repair the past. Connect the future.

---

 **KRAUSZ** is the creator of HYMAX