

# HYMAX<sup>®</sup> 2

## HYMAX<sup>®</sup> 2 CATHODIC<sup>\*</sup> (2"-12")



### FEATURES

- ADVANCED WIDE-RANGE COUPLING WITH A FLIP GASKET
- ELIMINATES GASKET REMOVAL MISTAKES AND MAXIMIZES INSTALLERS' EFFICIENCY
- HYMAX COUPLING WITH CATHODIC PROTECTION
- USING GAME-CHANGING HYMAX TECHNOLOGY, PROVEN IN OVER 1M INSTALLATIONS IN THE US
- SUITABLE FOR ALL METAL PIPES
- PATENTED HYDRAULICALLY-ASSISTED GASKET WITH 2-STAGE SEALING
- LIGHTWEIGHT CONSTRUCTION ENABLES FAST AND EASY INSTALLATION
- ALLOWS 4° DYNAMIC DEFLECTION ON EACH END, REDUCING FUTURE PIPE DAMAGE
- CAN CONNECT PIPES OF TWO DIFFERENT MATERIALS

### SPECIFICATIONS

#### STANDARDS

HYMAX CATHODIC MEETS OR EXCEEDS REQUIREMENTS OF STANDARDS: AWWA C-219, NSF-61, NSF 372.

#### SIZE

AVAILABLE IN NOMINAL DIAMETER FROM 2"-12" STANDARD.

#### MATERIAL

**END RINGS** ASTM A283 / A283M GRADE C STEEL.

**CENTER RING** ASTM A53 GRADE A STEEL.

**GASKET** EPDM COMPOUNDED FOR WATER AND SEWAGE, MEETS INTERNATIONAL STANDARDS FOR CONTACT WITH DRINKING WATER.

**BRIDGE** AISI 304 STAINLESS STEEL.

**SPHERICAL SPACERS** AISI 304 STAINLESS STEEL.

\* REGISTERED PATENT

# HYMAX<sup>®</sup>

Repair the past. Connect the future.

**KRAUSZ** is the creator of HYMAX

# PRODUCT SPECIFICATIONS

# HYMAX 2



## SPECIFICATIONS

<b>COATING</b>	100% FUSION BONDED EPOXY FOR ENHANCED CORROSION PROTECTION. AVERAGE THICKNESS 14 MIL.
<b>NUTS &amp; BOLTS</b>	AISI 304 STAINLESS STEEL. ROLLED THREAD AND ANTI-GALLING COATING.
<b>PROTECTION PARTS CATHODIC</b>	AISI 304 STAINLESS STEEL.

## PRODUCT PERFORMANCE (\*)

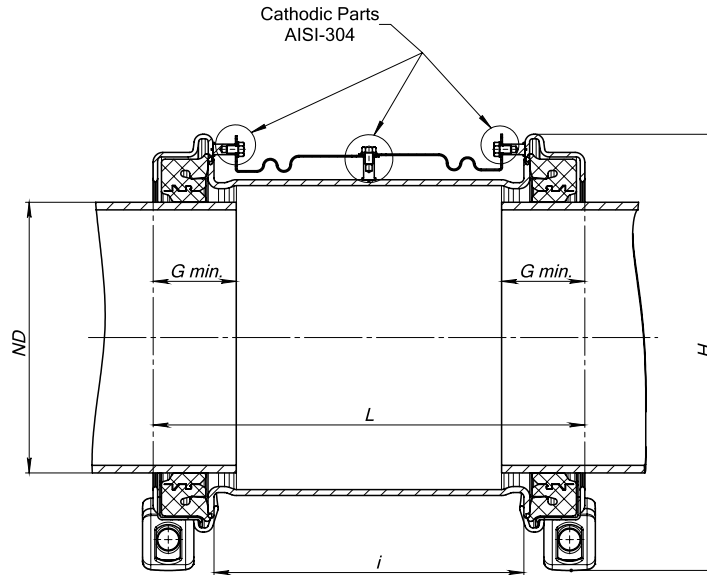
<b>WORKING TEMPERATURE</b>	-20°F UP TO +180°F
<b>DYNAMIC DEFLECTION</b>	UP TO 4° PER SIDE
<b>MIN. PIPE INSERTION</b>	2"-12" 2.25"
<b>MAXIMUM OFFSET FOR MISALIGNED PIPES</b>	2"    4"-12" 0.39" 0.51"
<b>MAXIMUM OUT OF ROUNDED</b>	2"    4"-12" 0.20" 0.31"
<b>WORKING PRESSURE</b>	260 PSI
<b>RATED PRESSURE</b>	390 PSI
<b>VACUUM TEST</b>	12 PSI

\* See Submittal Drawings For Details.

# PRODUCT SPECIFICATIONS

## PRODUCT TABLES

### HYMAX2 CATHODIC SIZES 2"-12"



Krausz Part Number	ND (inch)	Overall Range (inch)	Range In Closed Gasket Position	Range In Open Gasket Position	D (inch)	H (inch)	i (inch)	L (inch)	Bolts Qty.-Size	Approx. Weight (Lbs)
888-54-0054-16	2	2.10-3.03	2.10-2.60	2.56-3.03	Ø5.2	5.7	3.9	6.7	2 -M12	7
888-54-0108-16	4	4.25-5.63	4.25-5.00	4.92-5.63	Ø8.7	9.3	5.9	8.8	2 -M14	15
888-54-0130-16	5	5.12-6.38	5.12-5.75	5.71-6.38	Ø9.5	10.0	8.0	10.8	2 -M14	19
888-54-0163-16	6	6.42-7.68	6.42-7.05	7.01-7.68	Ø10.8	11.3	8.0	10.8	2 -M14	23
888-54-0190-16	7	7.48-8.74	7.48-8.11	8.07-8.74	Ø11.7	12.2	8.0	10.8	2 -M14	24
888-54-0217-16	8	8.54-9.84	8.54-9.17	9.13-9.84	Ø12.9	13.1	8.0	10.8	2 -M14	28
888-54-0272-16	10	10.70-12.00	10.70-11.37	11.33-12.00	Ø15.0	15.6	8.0	10.8	2 -M14	32
888-54-0278-16	10	10.96-12.26	10.96-11.63	11.59-12.26	Ø15.3	15.8	8.0	10.8	2 -M14	33
888-54-0315-16	12	12.40-13.66	12.40-13.03	12.99-13.66	Ø16.6	17.5	8.0	10.8	2 -M14	39
888-54-0334-16	12	13.15-14.41	13.15-13.78	13.74-14.41	Ø17.3	18.1	8.0	10.8	2 -M14	39

# **HYMAX<sup>®</sup>**

Repair the past. Connect the future.

---

 **KRAUSZ** is the creator of HYMAX

**331SW 57TH AVENUE, OCALA, FLORIDA 34474**

**TEL: 855-457-2879 | 855-4KRAUSZ**

**FAX: 352-304-5787**

**info@krauszusa.com | www.krauszusa.com**

---

This product is protected under a registered patent. See Krausz website for details. Copyright © 2017 Krausz Industries Ltd., All rights reserved

**PS0056 REV A**